

060-0201
Trailer Latch



060-0251
With Deadbolt



DESIGNED FOR:

- Travel trailer entrance doors
- RV baggage doors or utility trailer
- All doors with thickness of 1-1/4" to 1-1/2" (other door thicknesses available -- please inquire)
- Universal applications -- either right or left handed

Global Locations:

TriMark Corporation
500 Bailey Avenue
P.O. Box 350
New Hampton, Iowa 50659
United States
Tel: 641-394-3188
Fax: 641-394-2392
1-800-447-0343
www.trimarkcorp.com

TriMark Europe
Cedar Court
Walker road
Bardon Hill
Coalville LE67 1TU
United Kingdom
Tel: +44(0)1530 512460
Fax: +44(0)1530 512461
www.trimarkeu.com

TriMark (Xuzhou)
Building A5 Jingwu Road
Xuzhou Economic
Development Zone
Xuzhou, Jiangsu
221004 PR China
Tel: +86 516 8773 0018
Fax: +86 516 8773 0058
www.trimarkcn.com



TriMark. Interactive. Product. Selector



TriMark



TriMark Corporation

FEATURE/BENEFITS:

- Paddle can be locked before door is shut
- Paddle is rigid when locked
- Automotive styling
- Comfortable finger access
- Inside assist for easy door closing
- Water resistant

AVAILABLE:

- With optional built-in deadbolt (060-0251 Series)
- Reversible key for ease of operation
- With or without inside release (060-0201 Series)
- Reverse plunger for inward swinging doors (optional)
- KeyOne™ Plus



INSTALLATION:

- Requires (4) #8-32 thread forming fasteners (Available - please inquire)

MATERIAL:

- Major components: die cast zinc alloy
- Strike plate (standard version): die cast zinc alloy
- Strike plate (optional deadbolt version): Steel or non-corrosive stainless steel
- Non-metallic plunger

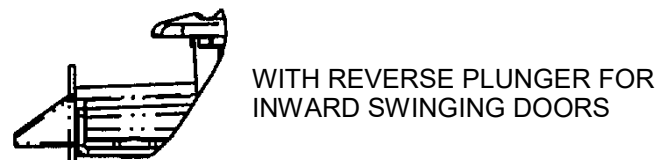
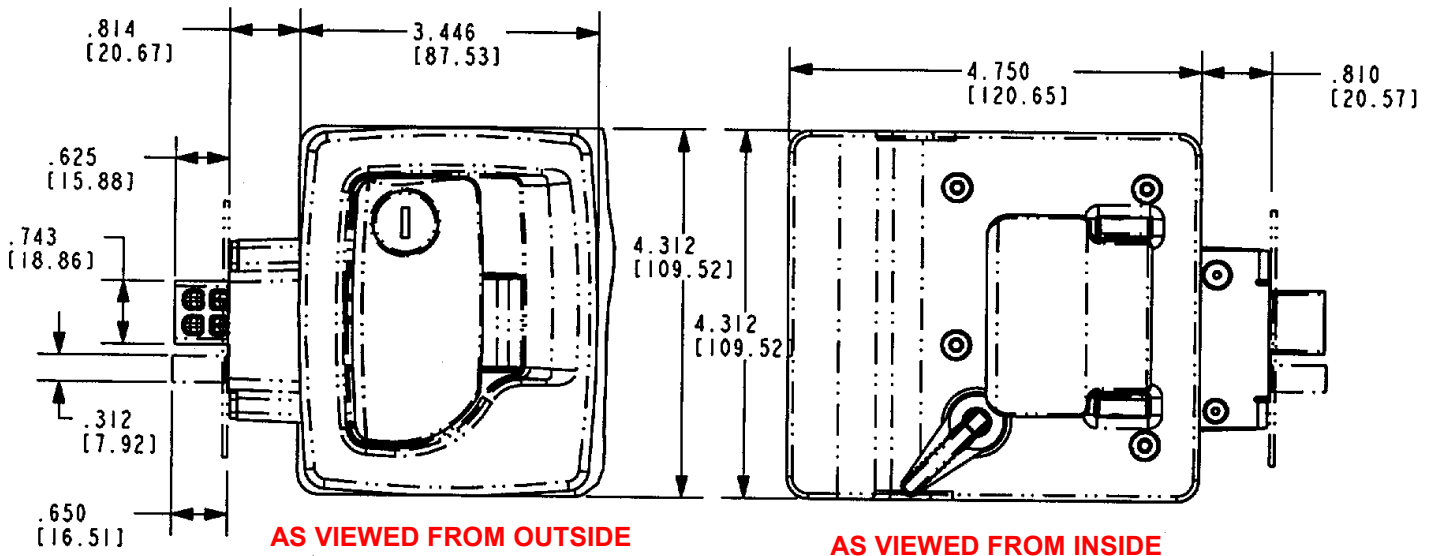
FINISH:

- Black powder coated or white
- Strike plate (standard version): black powder coating
- Strike plate (optional deadbolt version): zinc plated

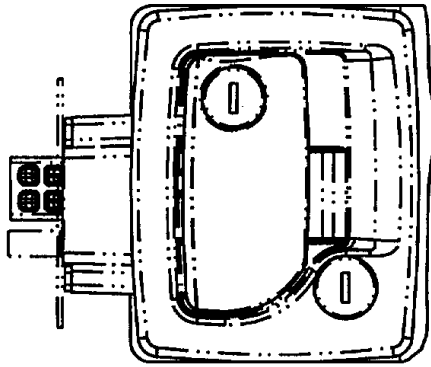
CAUTION: Latch does not meet FMVSS 206 (ECE R11) load requirements.

For more information visit
www.trimarkcorp.com

060-0201 With Inside Lock



060-0251 With Built-In Deadbolt Lock

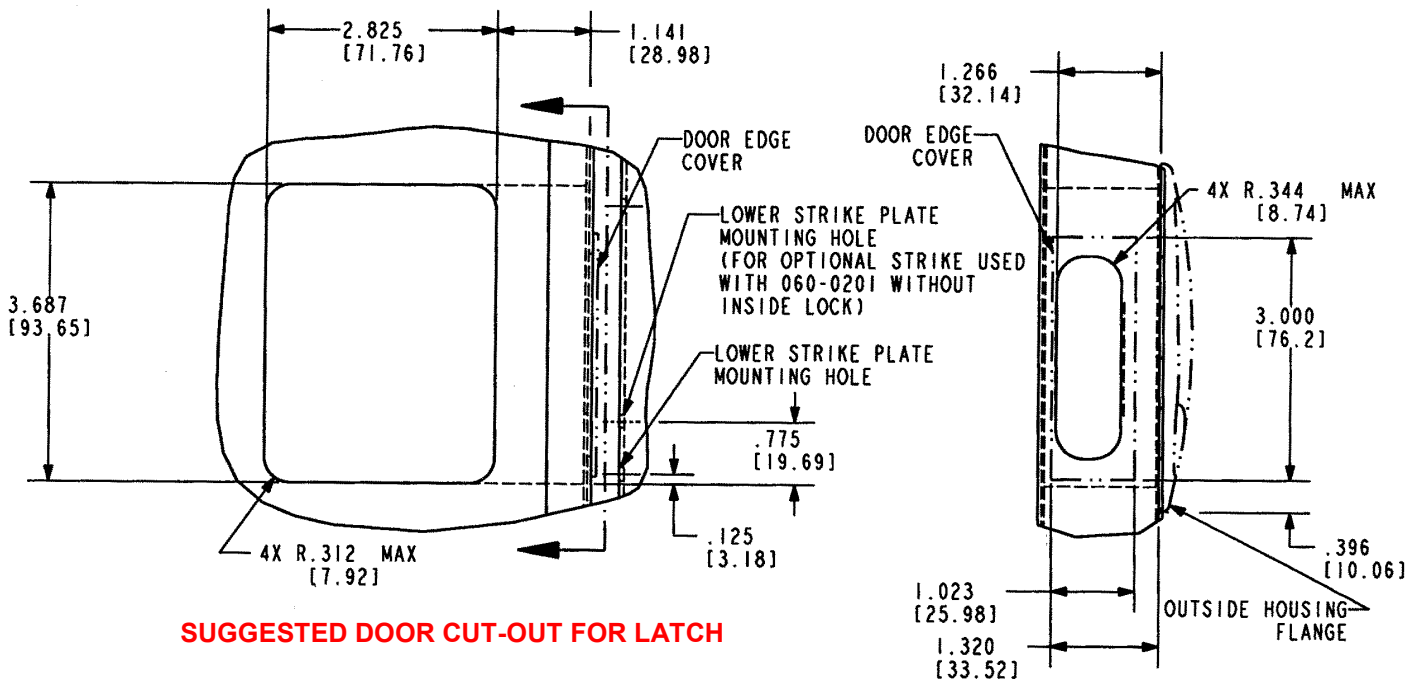


AS VIEWED FROM OUTSIDE

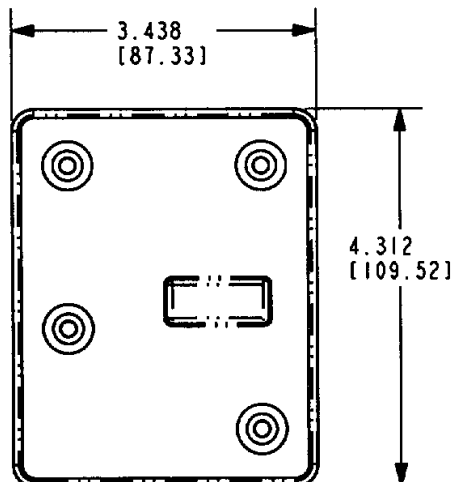
060-0251 DEADBOLT FEATURES:

- Built-in deadbolt eliminates the need for an add-on residential type deadbolt
- Requires the same cut-out detail as the standard latch assembly (060-0200/0250/0201)
- Same fasteners may be used for all versions
- Dead bolt locks into the fully extended position for true deadbolt functioning
- Master keying is standard for paddle key cylinder

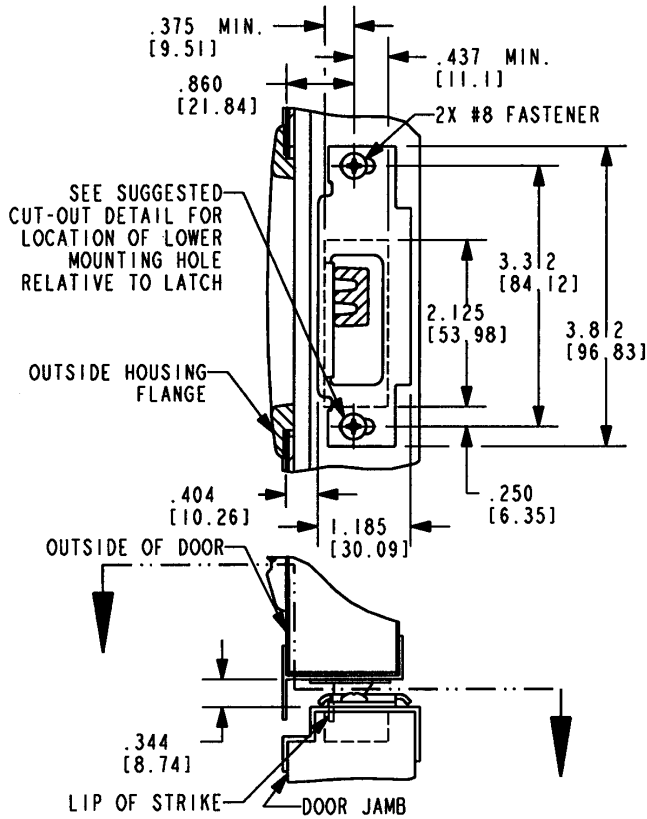
Individual part dimensions are for reference only. Refer to individual part drawings for complete dimensions, specifications, and installation procedures. Engineering assistance and application drawings are available.



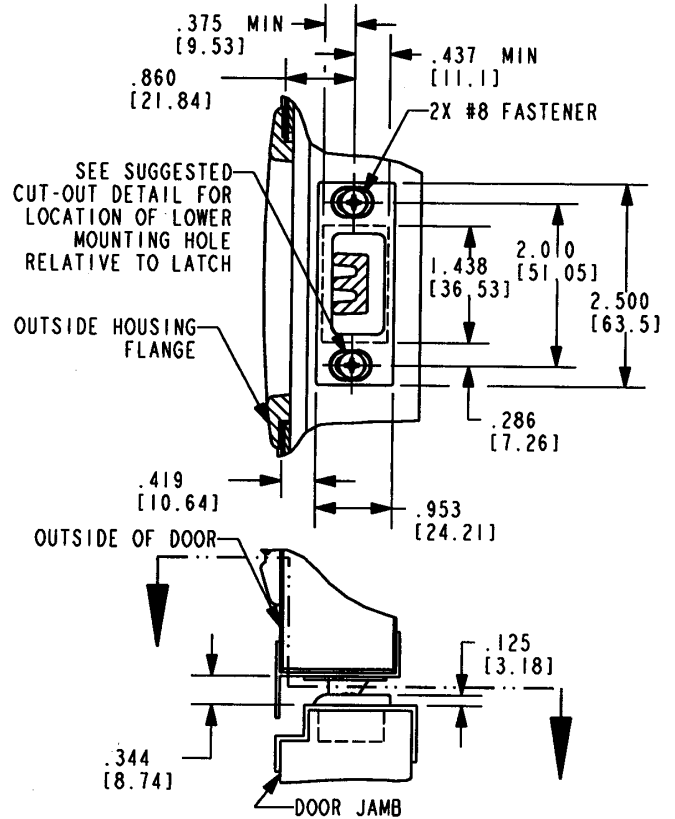
SUGGESTED DOOR CUT-OUT FOR LATCH



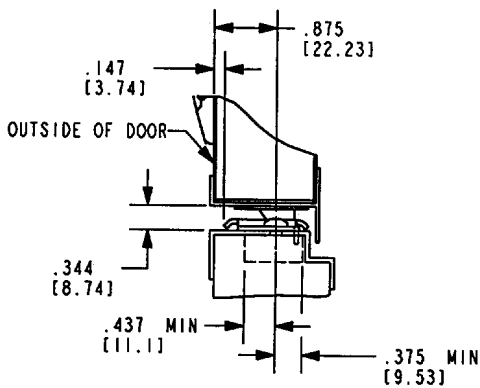
**INSIDE PLATE USED WITH 060-0201 FOR
NON-ENTRY DOOR APPLICATIONS**



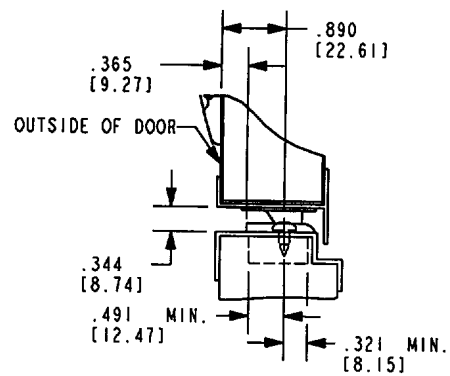
**STAMPED STEEL STRIKE PLATE FOR
060-0201 WITH INSIDE LOCK OR 060-0251**



**DIE CAST STRIKE PLATE FOR
060-0201 WITHOUT INSIDE LOCK**



**STAMPED STEEL STRIKE PLATE FOR
060-0201 WITH INSIDE LOCK OR 060-0251
WITH INWARD SWINGING DOOR**



**DIE CAST STRIKE PLATE FOR
060-0201 WITHOUT INSIDE LOCK
WITH INWARD SWINGING DOOR**